

Fixture #

SPECIFICATIONS:

Single wallmount trough sink, wall hanger bracket included, exposed surfaces finished to a satin finish. Includes installation hardware.

OVERALL DIMENSIONS:

Left to Right: 71 3/4" (182cm)
Front to Back: 18 7/8" (48cm)

BOWL DIMENSIONS:

Left to Right: 68 1/2" (174cm)
Front to Back: 14 3/4" (37cm)
Bowl depth: 8" (20cm)

BACKSPLASH

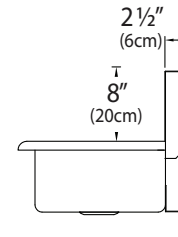
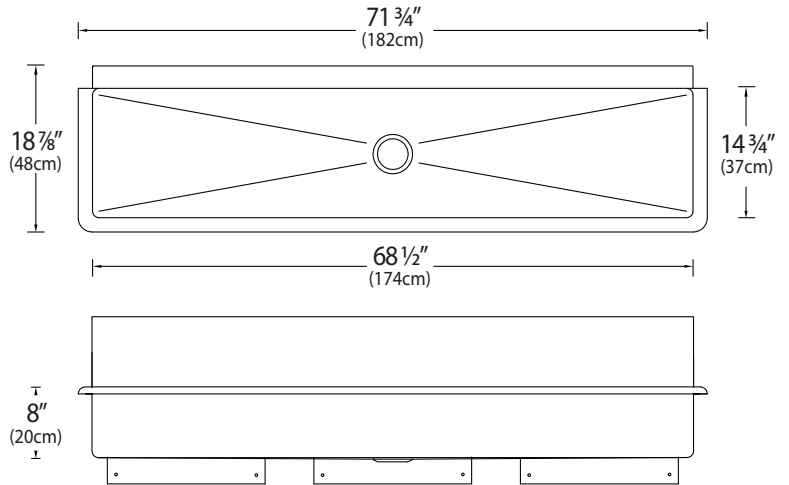
HEIGHT: 8" (20cm)

MATERIAL:

16 gauge, 18-10 stainless steel
304 Series

WASTE:

3 1/2" basket strainer assembly with tailpiece included
Location: Center



PROJECT INFORMATION:

Item Location: _____
Project Number: _____
Project Name: _____
Quote Number: _____
Faucet Model: _____
Notes: _____

Engineer's Approval

Novanni has a policy of continuous improvement.
All product specifications may change without notice.

HOLE DRILLINGS:

All wall trough sinks are punched to the customer's specification. Please provide a sketch of the faucet hole requirements including:

- A sketch indicating where the faucet is to be located
- Faucet model number
- Spread and diameter of holes

Please note that once punched with faucet holes, all wall trough sinks are non-returnable.