

Fixture #

SPECIFICATIONS:

Single wallmount trough sink, wall hanger bracket included, exposed surfaces finished to a satin finish. Includes installation hardware.

OVERALL DIMENSIONS:

Left to Right: 36 3/4" (93cm)
Front to Back: 18 7/8" (48cm)

BOWL DIMENSIONS:

Left to Right: 33 1/2" (85cm)
Front to Back: 14 3/4" (37cm)
Bowl depth: 8" (20cm)

BACKSPLASH

HEIGHT: 8" (20cm)

MATERIAL:

16 gauge, 18-10 stainless steel
304 Series

WASTE:

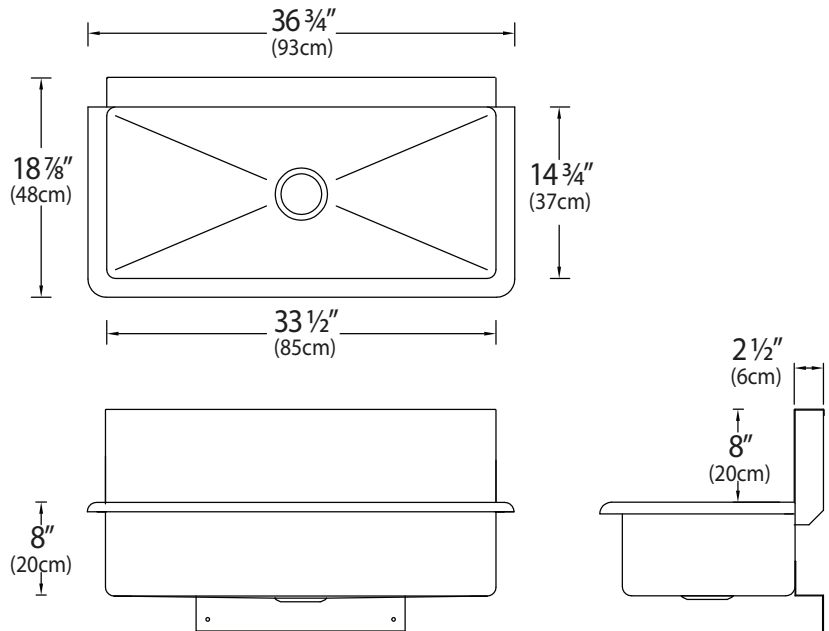
3 1/2" basket strainer assembly with tailpiece included
Location: Center

HOLE DRILLINGS:

All wall trough sinks are punched to the customer's specification. Please provide a sketch of the faucet hole requirements including:

- A sketch indicating where the faucet is to be located
- Faucet model number
- Spread and diameter of holes

Please note that once punched with faucet holes, all wall trough sinks are non-returnable.



PROJECT INFORMATION:

Item Location: _____
 Project Number: _____
 Project Name: _____
 Quote Number: _____
 Faucet Model: _____
 Notes: _____

Engineer's Approval

Novanni has a policy of continuous improvement.
All product specifications may change without notice.